



MR16

Recessed Light

35W halogen equivalent

Leapfrog Lighting's MR16 LED lamp provides industry-leading light quality, output power, and efficacy as a result of our patented intelligent optics lens and high-efficiency, high-reliability LED source and driver electronics.

Features

- Innovative anti-glare lens technology
- Available in a variety of CCTs and beam angles
- Special high CRI models
- Top performing light output and efficacy
- High Power Factor
- Comprehensive five-year warranty
- Tested per IESNA LM-79-2008



Contact

Head Office
400 March Road
Ottawa ON Canada
K2K 3H4
(613) 270-7879

North America (toll free):
1-800-396-9109

sales@leapfroglighting.com
www.leapfroglighting.com

LIGHT QUALITY

Evenly distributed, glare-free light with gentle roll-off at edges

APPLICATIONS

Indoor and unexposed outdoor down-lighting applications

LIFE EXPECTANCY

40,000 hours

PERFORMANCE

High efficacy (lm/W), single light source

COLOR

Ultra-consistent color temperature control critical to multi-lamp applications, with high CRI and pleasing CCT options.

WATTAGE EQUIVALENCY

35 Watt halogen equivalent

SPECIFICATIONS

CCT ¹	CRI ²	BEAM	LM	W	LM/W	PART	
2700K	82	24°	400	5	80	1002-MR16C-2702	
	82	38°	400	5	80	1002-MR16C-2701	
	95	24°	332	5	66	1002-MR16C-2704	
2700K	95	38°	332	5	66	1002-MR16C-2703	
	3000K	82	24°	420	5	84	1002-MR16C-3002
		82	38°	420	5	84	1002-MR16C-3001
95		24°	349	5	70	1002-MR16C-3004	
3000K	95	38°	349	5	70	1002-MR16C-3003	
	5000K	82	24°	420	5	84	1002-MR16C-5002
		82	38°	420	5	84	1002-MR16C-5001
95		24°	349	5	70	1002-MR16C-5004	
5000K	95	38°	349	5	70	1002-MR16C-5003	

1. Tolerances as per ANSI C78.377-2008 Nominal CCT categories
2. CRI refers to the "General CRI" described as Ra in CIE 13.3

GENERAL

Min. lifetime ³	40,000 hours
Base type	GU 5.3
Weight	1.6 oz.
Dimensions ⁴	MR16

ELECTRICAL

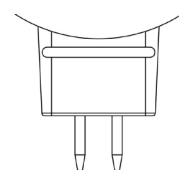
Voltage, nominal	12 AC or DC
------------------	-------------

OPTICAL

Duv ⁵	< ±0.006
------------------	----------

3. Lifetime as defined by IESNA LM-80
4. Compatible with ANSI C78.21-2011 dimensional requirements
5. Duv values and tolerances as per ANSI C78.377-2008 Nominal CCT, Table 1, page 8

BASE TYPE

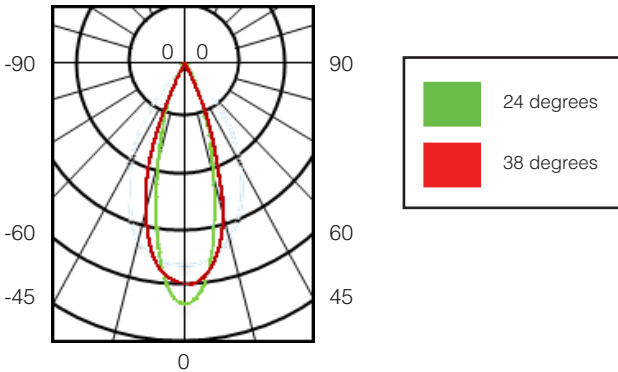


GU 5.3

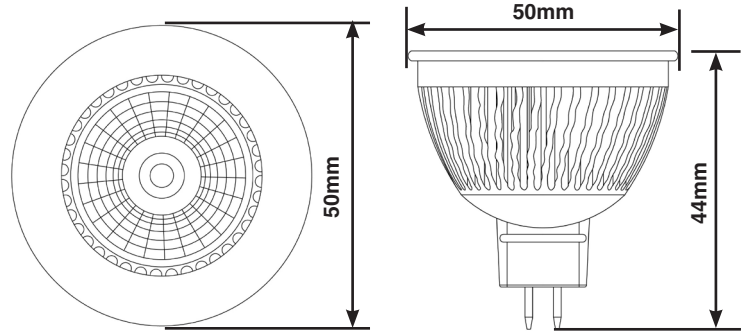
MR16 TRANSFORMER COMPATIBILITY (North America)

Leapfrog Lighting's MR16 lamps are compatible with any UL, CSA, or ETL approved 12 Volt electronic or magnetic lighting transformer.

POLAR INTENSITY DIAGRAMS

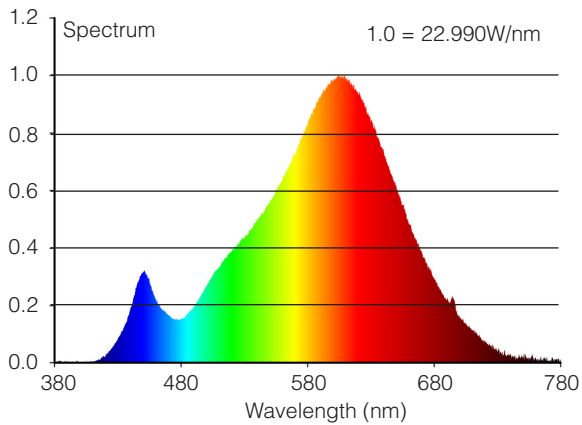


DIMENSIONS

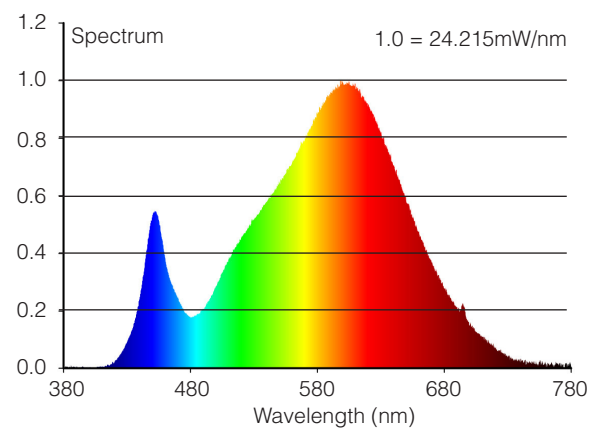


SPECTRAL POWER DISTRIBUTION

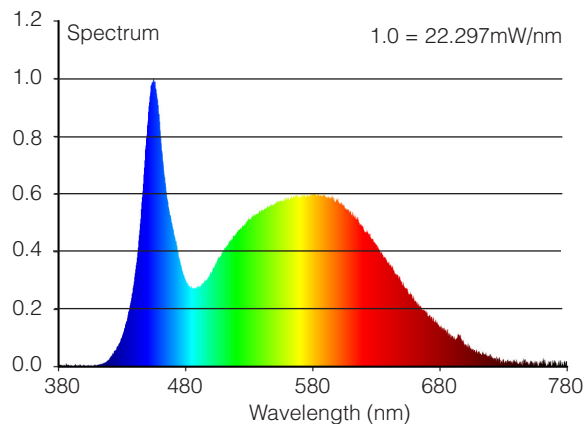
2700K



3000K



5000K



WARRANTY

If the lamp fails to meet our specifications during the first 60 months, we'll replace it.

For additional warranty information, please refer to <http://www.leapfroglighting.com/resources/>.

APPLICATION NOTES

Not for use in exposed outdoor down-lighting applications

Ambient temperature within -20 to +45 °C

SAFETY NOTES

Warning: Risk of electric shock

Do not disassemble (no user serviceable parts)

Turn off power before inspection, installation or removal.

